

the Summit sling

Firearm safety is your individual responsibility. You must carefully examine and be sure the firearm is unloaded. You must visually inspect the chamber and the magazine to make sure they are clear/empty. You must remove the cartridge clip if present. These activities must be performed each time you install or remove The Summit Sling with **TALON** Sling Swivels. This detailed information must be given to anyone using your **Summit** Sling and **TALON** Sling Swivels.

Thank You. . . for selecting **THE SUMMIT SLING** with **TALON QUICK-RELEASE™ SLING SWIVELS FOR YOUR FIREARM.**

! WARNING ! WARNING ! WARNING !
 Be sure the firearm is unloaded and safe before attaching or removing your **SUMMIT** Firearm Sling with **TALON** Sling Swivels!

TALON™

QUICK-RELEASE SLING SWIVELS

(See pictorials Fig. 1 and Fig. 2, to identify the **TALON** Sling Swivel Parts)

QUICK-INSTALLATION

- A.** Press the Spring-Loaded Pin inward to open the Rotating Gate, **Fig. 1**.
- B.** Rotate Gate 90 degrees to open while pressing inward on the Spring-Loaded Pin, **Fig. 1**.
- C.** Insert Swivel Base Pin into provided swivel base on your firearm, **Fig. 1**.
- D.** To close the Rotating Gate depress the Spring-Loaded Pin while rotating the Gate 90 degrees to the fully closed/engaged position, as pictured, **Fig. 2**.
- E.** The Swivel Base Pin must pass completely through the hole at the end of the Rotating Gate, as pictured, **Fig. 2**.
- F.** The Rotating Gate must rest fully within the Off-Set in the swivel body, as pictured, **Fig. 2**.
- G.** **No Gap or Open Space** will be present in this area when the swivel is fully closed/engaged correctly, as pictured, **Fig. 2**.

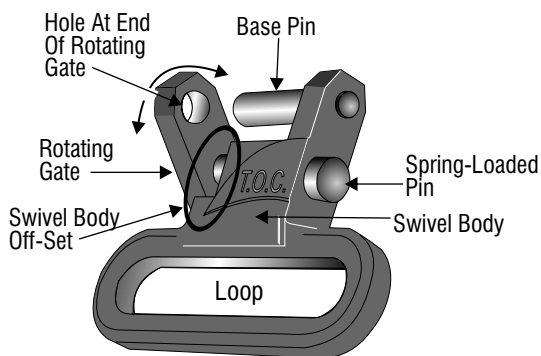
Safety Warning and Use Information

- 1.** The swivels must be observed periodically to make sure the swivels are fully closed/engaged correctly each time you use your firearm.
- 2.** Pulling, tugging or stress of any kind upon the swivels, sling, firearm/scope must be given immediate attention to make sure the swivels remain in the correct/proper, closed/engaged position during any usage.
- 3.** You must never attempt to climb trees, tree stands, steep inclines, hills, rocks or leap/jump over ditches with a loaded firearm. The act of firearm and hunting safety is your responsibility.
- 4.** It is necessary for you to convey this information in detail to anyone who may use your **TALON** Swivels.
- 5.** Failure to follow the safety rules and recommendations set forth in this pamphlet could result in a swivel accidentally opening and becoming detached from the swivel base. If this should occur, the firearm could fall, and could result in damage to the firearm/scope, accidental discharge, and/or cause injury and/or death to yourself and/or someone else.

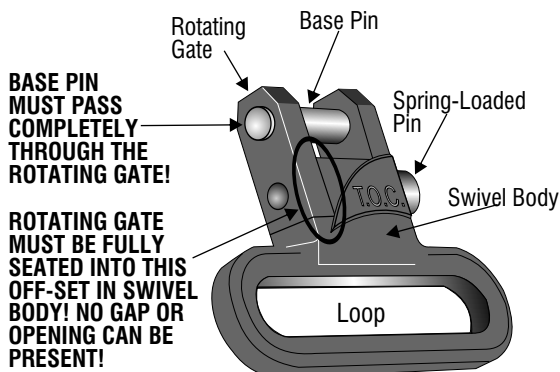
QUICK-REMOVAL

Removal of the **TALON** Sling Swivel is accomplished by reversing the steps "A" through "G".

Open Position (Fig. 1)



Fully Closed/Engaged Position (Fig. 2)



! CAUTION ! CAUTION ! CAUTION !

The **TALON** Sling Swivel must not be overloaded or improperly stressed. The **TALON** Sling Swivel must be examined periodically to insure correct installation. Correct installation of The **TALON** Sling Swivel requires: **1.** The Base Pin to pass completely through the hole at the end of the Rotating Gate, **Fig. 2**. **2.** The Rotating Gate must be positioned/seated into the Off-Set in the swivel body, in the closed/engaged position, **Fig. 2**.

This instructional information sheet should be retained for future reference.



The **TALON** Sling Swivel is a well designed mechanical device. Only superior materials and the most advanced techniques are used in manufacturing. The surface and the Spring-Loaded Pin cavity should be lightly oiled to prevent corrosion and retain good appearance and working order, as designed.

GUARANTEED*FOREVER

The Outdoor Connection GUARANTEE is the strongest in the Shooting industry. All other warranties are conditional with limitations. We offer this warranty because our products are manufactured to withstand the test of time and hard use. We only use select quality materials and uncompromising craftsmanship that are able to survive the punishing conditions of hunting and shooting.



7901 Panther Way • Waco, TX • 76712-6556 • USA
 Phone: 254-772-5575 • Fax: 254-776-3553 • Service/Sales: 800-533-6076

www. OutdoorConnection.com